

ARCAL FO E+

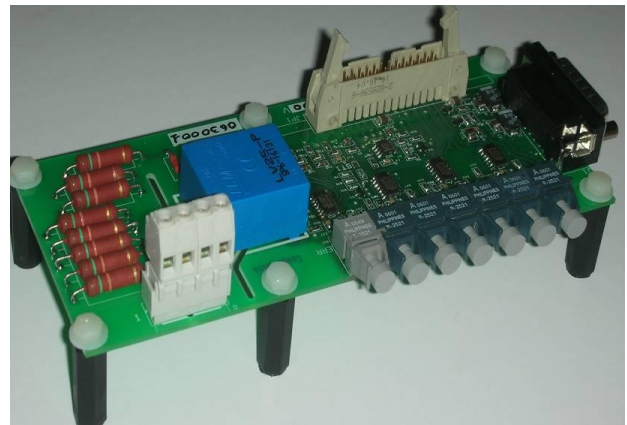


Fibre distributed data interface for ARCAL-E+210 drivers

The ARCAL-FO-E+ board is a fibre distributed data – control signals interface. It enables to drive an ARCAL-E+210 board mounted on an Econopack+ module in a three-phase structure. Basically it enables to send the temperature measure of the IGBT done by the ARCAL-E+210. It can also measure the Bus voltage of the stack where it is mounted.

This board is compatible with the ARC-MC-E+ too, which measures 3 phase currents and one Bus voltage, then processes and sends the defaults to the HE10 connector – 26 compatible pins with the ARCAL-FO-E+.

- Fibre distributed data interface,
- Measure of DC Bus voltage,
- Board compatible with IGBT driver board ARCL-E+210 and the ARC-MC-E+ measuring board,
- Centralizes on an « Error » optical fibre the 3 IGBT defaults of the drivers as well as the temperature default.



All information included in this document is Arcel's or its respective authors' property. Therefore, any reproduction, use, adaptation, modification, integration, translation, commercial use, in whole or in part, by any means or any form (electronic, written or verbal) is forbidden, without prior written permission of Arcel or its respective authors.



CONTENTS

1.	Optical and Electrical Specifications	2
1.1.	Supplies.....	2
1.2.	Pin connections	3
2.	Optical Specifications.....	5
3.	Mechanical Specifications.....	5
4.	Electrical diagram	6
5.	Main Specifications.....	7
6.	Behaviour of the voltage measure.....	8
7.	Configurations.....	9

1. OPTICAL AND ELECTRICAL SPECIFICATIONS

Unless otherwise specified, all data are given at 25°C.

1.1. *Supplies*

Symbol	Parameter	Min.	Typ.	Max.	Unit
V_{CC}	Positive rated power supply	14.5	15	15.5	VDC
V_{SS}	Negative rated power supply	-14.5	-15	-15.5	VDC
I_{DD0}	Total off-load current supply				mA

All information included in this document is Arcel's or its respective authors' property. Therefore, any reproduction, use, adaptation, modification, integration, translation, commercial use, in whole or in part, by any means or any form (electronic, written or verbal) is forbidden, without prior written permission of Arcel or its respective authors.



1.2. Pin connections

J1 Connector (customer supply connector type DB15)

Pin	Symbol	Description
1	U-Iw	Data feedback for channel W current
2	U-Iv	Data feedback for channel V current
3	U-Iu	Data feedback for channel U current
4	Temp-Out	Data feedback for Econopack+ module temperature
5	U-DC1 ou U-DC2	Data feedback for the Bus voltage depending whether the measure is done on the ARCAL-FO-E+ or on the l'ARC-MC-E+ (Configurable)
7	+15V ou Vcc	+15V supply
8	-15V ou Vss	-15V supply
9, 10,11, 12, 13, 15	GND	Mass
6 et 14 NC	-	Not connected pins

All information included in this document is Arcel's or its respective authors' property. Therefore, any reproduction, use, adaptation, modification, integration, translation, commercial use, in whole or in part, by any means or any form (electronic, written or verbal) is forbidden, without prior written permission of Arcel or its respective authors.



JP1 connector (driver connector type HE10 - 26 pins)

Pin	Symbol	Description
2	INB U	Control B for U arm
3	ERR U	Default feedback coming from the U arm (C.O.)
4	INA U	Control A for U arm
5	INB V	Control B for V arm
6	ERR V	Default feedback coming from the V arm (C.O.)
7	INA V	Control A for U arm
8	INB W	Control B for W arm
9	ERR W	Default feedback coming from the W arm (C.O.)
10	INA W	Control A for U arm
11	Over-Temp	Temperature default feedback (C.O.)
13	U-DC2	Measure of Bus voltage coming from the ARC-MC-E+
16, 17	+15V	Supply +15V
18, 19, 21, 23, 25	GND	Mass
20	Temp-Out	Temperature default feedback processed by the ARCAL-E+210
1, 12, 14, 15		Non connected pins

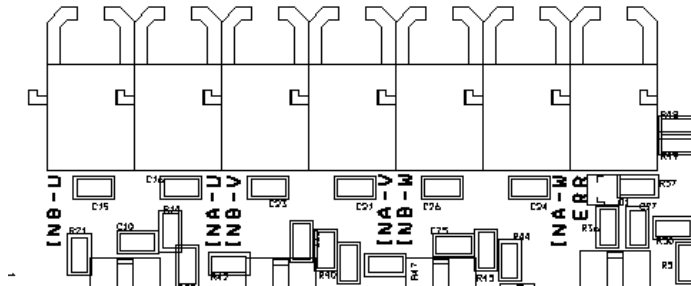
J2 connector (connector for the measure of Bus voltage)

Pin	Symbol	Description
1	+HT	Plus input of the Bus voltage
4	-HT	Minus input of the Bus voltage
2 et 3	-	Non connected pins

Optical fibre connectors

These optical fibre connectors are marked on the board itself. You have the receiving optical fibres for the 6 control channels INA - u, v, w and INB - u, v, w. The last emitting optical fibre sends a default which includes the 3 driver defaults and the temperature default.

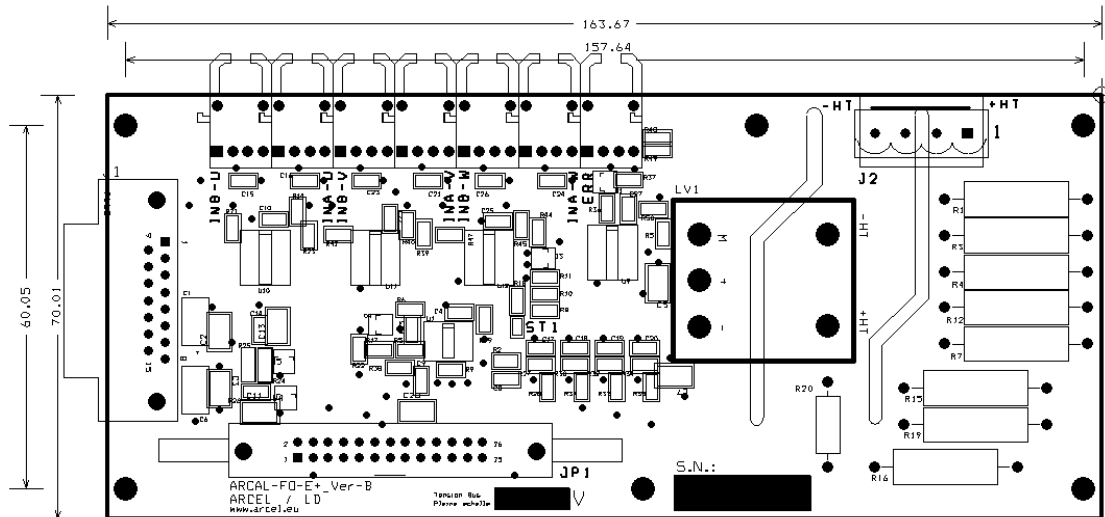




2. OPTICAL SPECIFICATIONS

Symbol	Parameter	Min.	Typ.	Max.	Unit
TRM (10-90%)	Upwards reaction time (control signal & HE10 output)		250		nS
TRD (10-90%)	Downwards reaction time (control signal & HE10 output)	-	100		nS

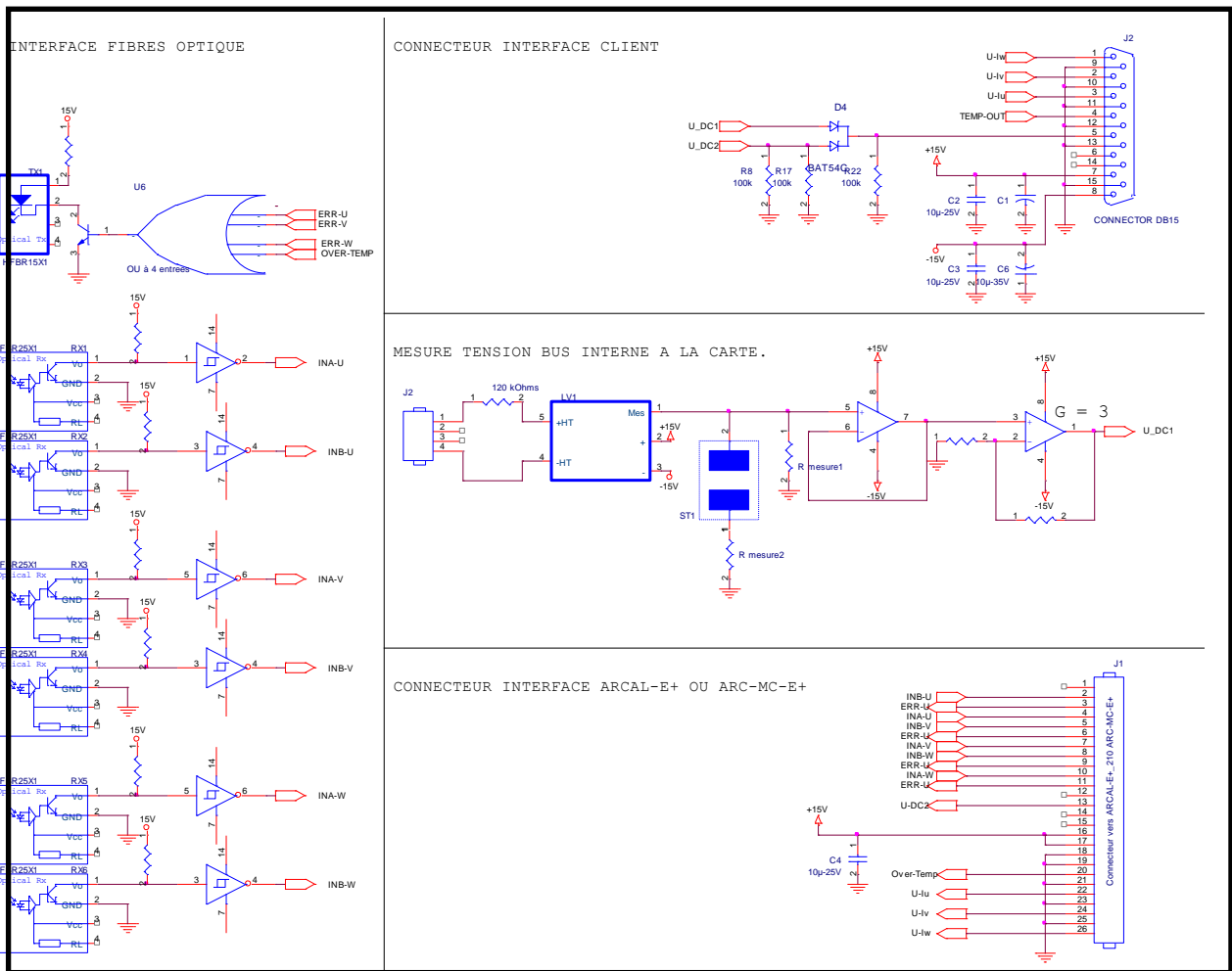
3. MECHANICAL SPECIFICATIONS



All information included in this document is Arcel's or its respective authors' property. Therefore, any reproduction, use, adaptation, modification, integration, translation, commercial use, in whole or in part, by any means or any form (electronic, written or verbal) is forbidden, without prior written permission of Arcel or its respective authors.



4. ELECTRICAL DIAGRAM



All information included in this document is Arcel's or its respective authors' property. Therefore, any reproduction, use, adaptation, modification, integration, translation, commercial use, in whole or in part, by any means or any form (electronic, written or verbal) is forbidden, without prior written permission of Arcel or its respective authors.



5. MAIN SPECIFICATIONS

- DC supply voltage : $\pm 15V$ et 0V.
- The -15V input is planned to supply the voltage sensor as well as the electronic which enables the data processing.
- It enables to drive the ARCL-E+ board directly or to interface the ARC-MC-E+ measuring board between these 2 boards.
- It enables to make a measure of the Bus voltage and to process these data (marked U-DC1), when this option is available. This Bus voltage can be configured according to the IGBT that is used (1200V or 1700V).
- If it is cabled to an ARC-MC-E+, it can also forward the measure done on the measuring board (marked U-DC2).
- Again when it is cabled to the ARC-MC-E+ measuring board, it will send the measures of the 3 phase currents done by this board onto the customer connector.
- Sends the temperature measure done on the ARCAL-E+_210 driver board to the customer connector.
- Centralizes the default feedbacks of the 3 IGBT drivers as well as the temperature default created by the ARCAL-E+210 driver board and forwards a general default signal via a single optical fibre.

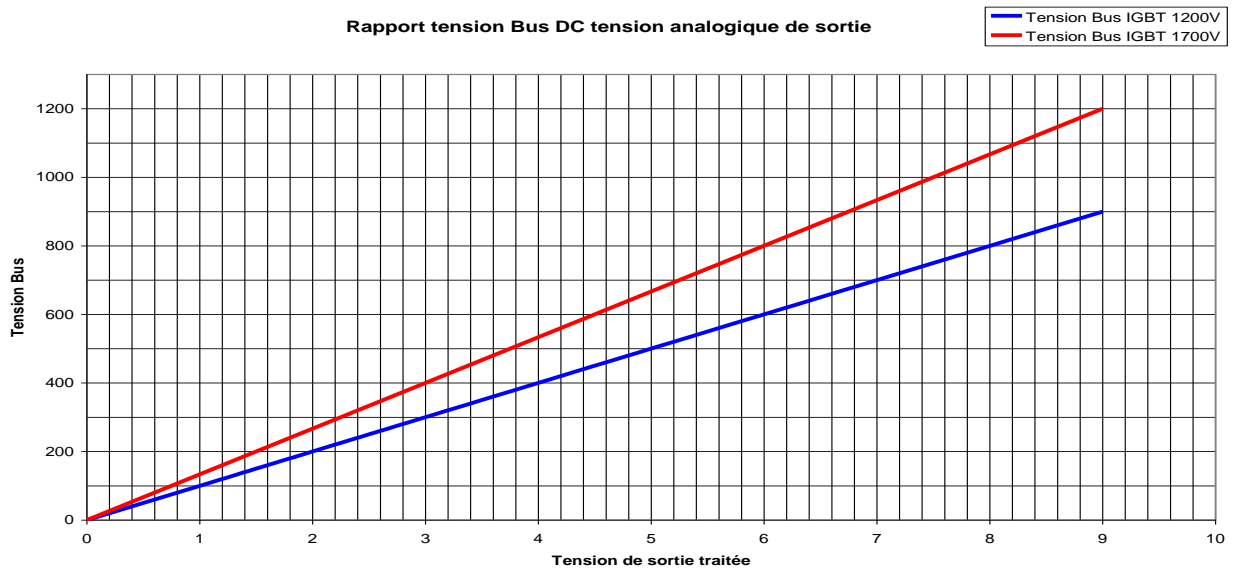
All information included in this document is Arcel's or its respective authors' property. Therefore, any reproduction, use, adaptation, modification, integration, translation, commercial use, in whole or in part, by any means or any form (electronic, written or verbal) is forbidden, without prior written permission of Arcel or its respective authors.



6. BEHAVIOUR OF THE VOLTAGE MEASURE

Owing to this method, 2 types of voltage can be measured full scale.

- **For a 1200V IGBT**, which is the standard configuration, you will get the following for the full scale : **900V_{DC} = 9V**
- **For a 1700V IGBT**, the "ST1" configuration strap must be short circuited. In this case, you will get the following for the full scale : **1200V_{DC} = 9V**



All information included in this document is Arcel's or its respective authors' property. Therefore, any reproduction, use, adaptation, modification, integration, translation, commercial use, in whole or in part, by any means or any form (electronic, written or verbal) is forbidden, without prior written permission of Arcel or its respective authors.



7. CONFIGURATIONS

If you choose to measure the Bus voltage, you need to configure your board as follows:

	IGBT 1200V	IGBT 1700V
ST1	CO (std ¹)	CC

No configuration is needed when the measure of the Bus voltage is done on the ARC-MC-E+.

 **Before printing think about environment and costs!**

Arcel reserves the right to make changes without further notice to any products herein. Arcel makes no warranty, representation or guarantee regarding the suitability of its products for any particular purpose, nor does Arcel assume any liability arising out of the application or use of any product or circuit, and specifically disclaims any and all liability, including without limitation consequential or incidental damages.

¹ "Std" means that this configuration is the standard one on this board when the option is chosen.

All information included in this document is Arcel's or its respective authors' property. Therefore, any reproduction, use, adaptation, modification, integration, translation, commercial use, in whole or in part, by any means or any form (electronic, written or verbal) is forbidden, without prior written permission of Arcel or its respective authors.

