

FART4



Trigger for switch gates

The FART4 module enables to trigger switch gates (2 head-to-foot thyristors) from a 0-10V or 0-20mA control command.

- ✓ **Insulation : 3500Vac**
- ✓ **Input 0-10V and 0-20mA**
- ✓ **Detection of zero-crossing**
- ✓ **State display**
- ✓ **Standard housing**



All information included in this document is Arcel's or its respective authors' property. Therefore, any reproduction, use, adaptation, modification, integration, translation, commercial use, in whole or in part, by any means or any form (electronic, written or verbal) is forbidden, without prior written permission of Arcel or its respective authors.



CONTENTS

1. Electrical specifications 3
 1.1. General data 3
 1.2. Power circuit 3
 1.3. Control circuit 3
2. GENERAL DIAGRAM 4
3. Mechanical Specifications 4

All information included in this document is Arcel's or its respective authors' property. Therefore, any reproduction, use, adaptation, modification, integration, translation, commercial use, in whole or in part, by any means or any form (electronic, written or verbal) is forbidden, without prior written permission of Arcel or its respective authors.



1. ELECTRICAL SPECIFICATIONS

Unless otherwise specified all data are given for 25°C.

1.1. General data

Symbol	Parameters	Min.	Typ.	Max.	Unit
TA	Ambient operating temperature	0		70	°C
TS	Storage temperature	-40		125	°C
VISO	Insulation (Power / Control) (AC / 50Hz / 1min)		3.5		kV
VINH	Starting inhibition voltage ⁱ		5	20	V

1.2. Power circuit

Symbole	Parameters	Min.	Typ.	Max.	Unit
VAC	Operating voltage	48		400	VAC
IGTmax	Maximum gate current		500		mA
F	Operating frequency	50		60	Hz

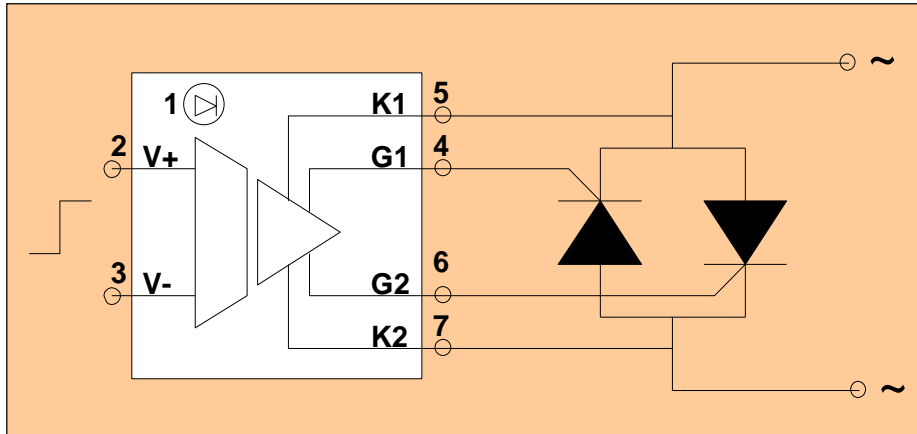
1.3. Control circuit

Symbol	Parameters	Min.	Typ.	Max.	Unit
VIN	Input voltage	0	10	15	VDC
VIH	Starting threshold of module		7.8		VDC
VIL	Extinction threshold of module		7		VDC

All information included in this document is Arcel's or its respective authors' property. Therefore, any reproduction, use, adaptation, modification, integration, translation, commercial use, in whole or in part, by any means or any form (electronic, written or verbal) is forbidden, without prior written permission of Arcel or its respective authors.

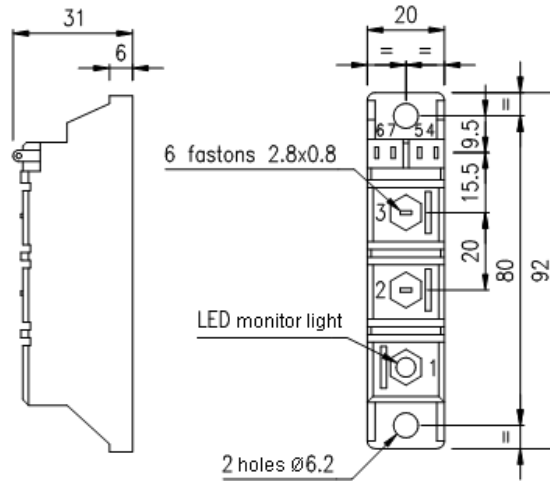


2. GENERAL DIAGRAM



Caution: do not operate the FART4 if one of the gates is disconnected.

3. MECHANICAL SPECIFICATIONS



Connections: 2.8*0.8mm "FASTON" terminals.

ⁱ The starting inhibition voltage is the detection threshold of the zero crossing. The starting can only take place if the voltage at the switch gate terminals is inferior to the announced threshold.

All information included in this document is Arcel's or its respective authors' property. Therefore, any reproduction, use, adaptation, modification, integration, translation, commercial use, in whole or in part, by any means or any form (electronic, written or verbal) is forbidden, without prior written permission of Arcel or its respective authors.

