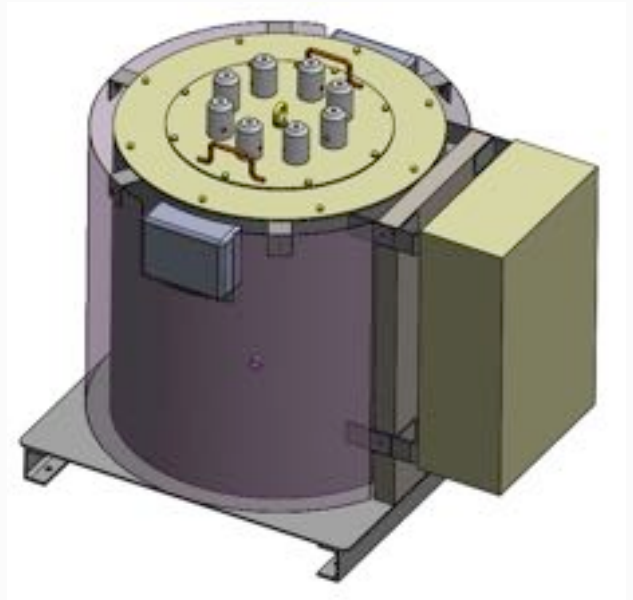
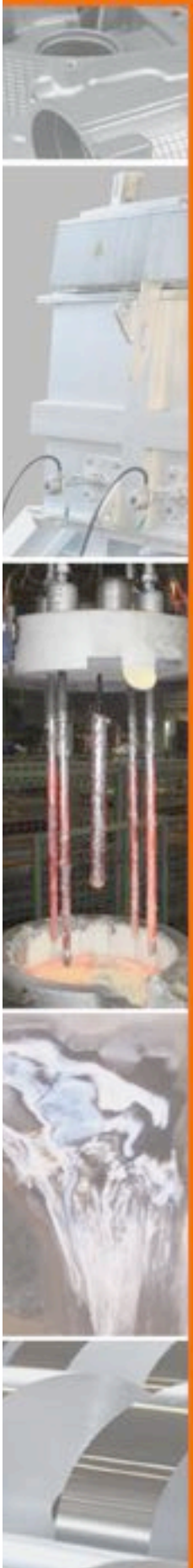


Furnace for plugs preheating



Description

- Furnace with its associated piloting cabinet for the preheating of continuous casting plugs
- Power : up to 8kW
- Maximum temperature: 600°C
- Isolated structure
- Power supply as requested
- From 4 to 10 plugs

